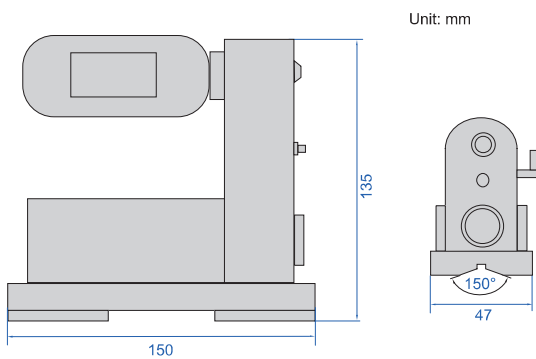


# WIRELESS ELECTRONIC LEVELS

measuring and analysis software (included)

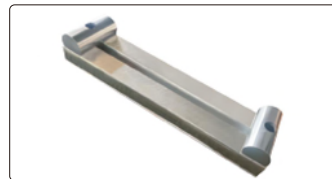


4952-150

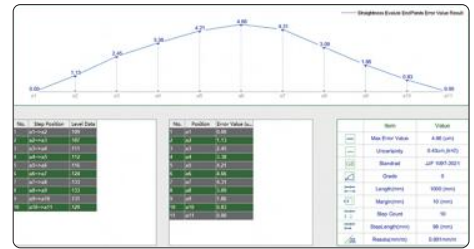


- Measures flatness, parallelism and straightness
- Built-in wireless transmission module, 433MHz signal, wireless connection to computer, transmission distance 50m
- The LCD can be rotated for easy observation in different directions
- Designed with handle for easy access
- V-groove on bottom for shafts
- Supplied with measuring and analysis software
- Optional accessory: bridge plate (code **4952-01**)

300mm bridge plate  
4952-01 (optional)



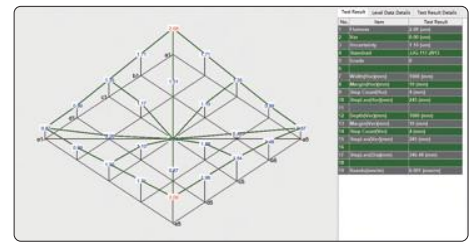
## straightness measuring and analysis



## parallelism measuring and analysis



## flatness measuring and analysis



wireless receiver (included)



control box (included)



## SPECIFICATION

Code	4952-150		4952-150L	
Resolution (adjustable)	0.001mm/m (0.2")	0.01mm/m (2")	0.005mm/m (1")	0.01mm/m (2")
Range	±0.5mm/m	±5mm/m	±2.5mm/m	±5mm/m
Repeatability	0.001mm/m	0.01mm/m	0.005mm/m	0.01mm/m
Response time	<10s	<3s	<5s	<3s
Accuracy	±(1+Ax2%) Δ*			
Power supply	1 x 21700 Li-ion battery, for 50h continuous working			
Weight	1.8kg			

## STANDARD DELIVERY

Main unit	1 pc
Wireless receiver	1 pc
Control box	1 pc
Measuring and analysis software (with dongle)	1 set
Charger	1 pc
21700 Li-ion battery	4 pcs

\*A is the measured value, Δ is the resolution